



LectroCount LCR-II™ Electronic Register

Pump and Print Electronic Registration



Benefits

- Proven long service life
- Increased accuracy with multi-point calibration
- Simple operation
- Reliable in harsh environments
- Improved efficiency relative to mechanical systems

Features

- Weights & Measures custody transfer (product delivery and ticket generation)
- Metrological data collection
- Four product calibrations
- Multi-point and Single-point calibration
- Printed delivery, shift, and diagnostic tickets
- Delivery quantity and totalizer
- Security settings
- Two auxiliary outputs (settings include: *On, Off, On During Delivery, Monitor Flow Rate, Toggle Flowrate, and Flow Direction*)
- No-flow timer
- RS232/RS485 communication
- Electronic temperature volume compensation (ETVC)
- Electronic presetting by volume
- Electronic valve control
- Electronic air or vapor elimination
- 10-digit totalizer
- Two control buttons for accessing and adjusting programmable data
- NEMA 4X enclosure
- -40 to 158 °F (-40 to 70 °C) temperature range
- Available in Class I, Div 1 or Div 2 enclosure, Groups C & D
- Easy-to-use RUN, STOP, PRINT, SHIFT PRINT red rotary selector switch
- Hinged door for easy access to internal connections
- One closure connection point with Weights & Measures sealable captive fastener
- Compatible with most flowmeters (accepts input from PD, Amplified Turbine, Electromagnetic and Mass flowmeters)

General Information

Liquid Controls' LectroCount LCR-II is a microprocessor-based electronic meter register. Its primary functions include configuring the meter system to the properties of the metered liquid, interfacing with the electronic components of the meter system (and external components such as pumps, injectors, and shutdown devices), and performing Weights & Measures approved custody transfer actions.

The LCR-II performs well in both mobile and fixed installations. It can control a meter system as a stand-alone unit, or it can be used as a slave to a host controller such as a process controller or an in-cab data management system.

Operation, setup, and configuration functions can be performed using the red rotary selector switch and the 'SELECT' and 'INCREASE' buttons. An external lap pad and EZCommand, a software program for personal computers, are also available for LCR-II setup and configuration.



LectroCount LCR-II Electronic Register

Specifications

Materials of Construction

Aluminum Alloy ADC12
Corro-Coat PE 74-141 Polyester Powder Coat

Weight

8.4 lbs (3.8 kg)

Display Elements

Liquid crystal display (LCD)

Cable Entry

1/2" NPT (5)
3/4" NPT (2)

Temperature Rating

-40 to 158 °F (-40 to 70 °C)

Input Voltage

9 to 28 VDC, 4.5 A maximum (including solenoid valves)

Pulse Output

5 to 28 V peak to peak, 7500 Hz maximum

Scale Pulse Output

150 mA sinking capability

Electrical Protection

5 A Fuse

Communications

RS-232: EIA-232E standard
RS-485: SAE J1708 standard

Auxiliary 1 Output

1 A sinking capability

Auxiliary 2 Output

150 mA sinking capability

Solenoid 1 Output

10.2 to 27.2 VDC
1 A maximum

Solenoid 2 Output

10.2 to 27.2 VDC
1 A maximum

Solenoid 3 Output

10.2 to 27.2 VDC
1 A maximum

Optical Sensor

+10 to +28 VDC
0.5 A maximum

RTD Temperature Probe

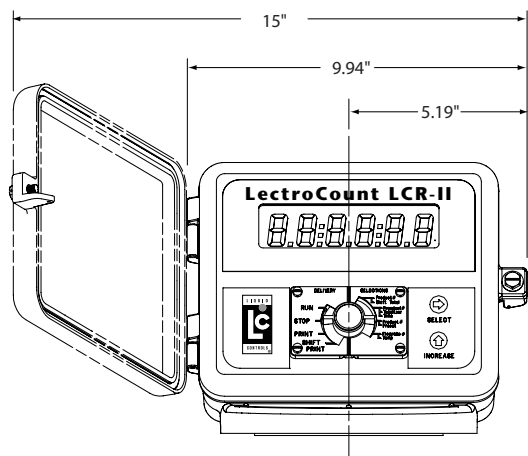
4 wire platinum sensor
100 Ω resistance at 0 °C
138.5 Ω resistance at 100 °C

Remote Electronic Display

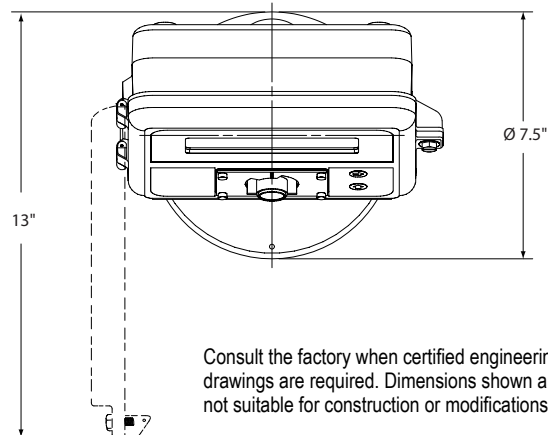
1 A sinking capability

Dimensions

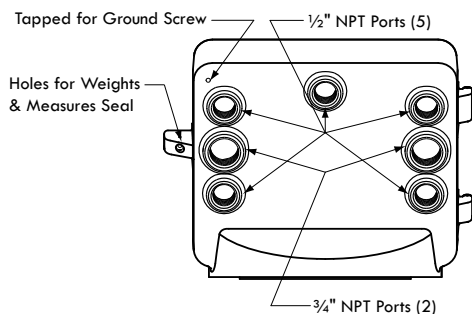
FRONT VIEW



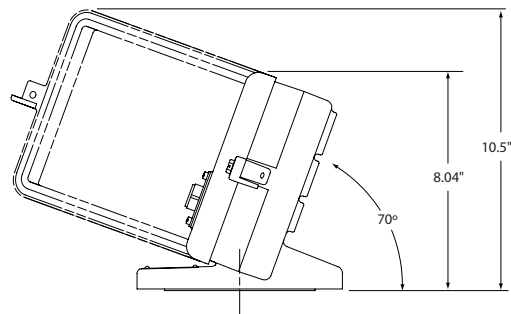
TOP VIEW



REAR VIEW



SIDE VIEW



LectroCount LCR-II Electronic Register

